

frame^{it}all™
simple · modular · gardens

SCENERY SOLUTIONS
A Division of VegHerb, LLC

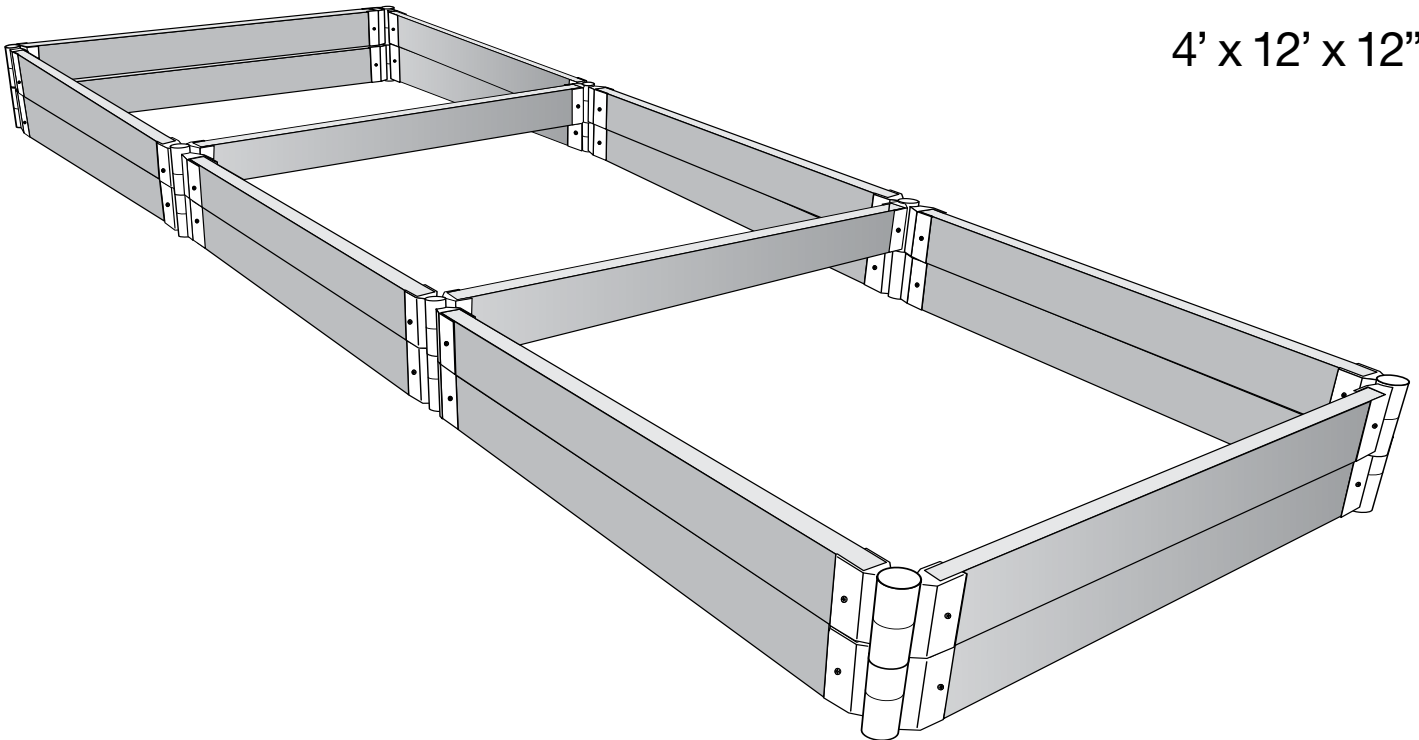
Manufactured and Distributed by
Scenery Solutions, Inc., 222 Grace Church Street, Suite 302
Port Chester, NY 10573

Questions call: 800-914-9835 admin@frameitall.com

©2009 Frameitall All rights reserved

Tri-Section Raised Garden

4' x 12' x 12''



**The Tri-Section Raised
Garden Kit contains:**

- 18 timbers
- 7 2-packs of stacking joints
- 2 4-way joints

Introducing the 'Frame-It-All' Tri-Section Raised Garden

ECO-friendly

The framework utilizes our Composite Plastic Timbers. Manufactured from 40% wood fiber and 60% recycled polyethylene, the Eco-friendly durable composite wood grain plastic timbers never rot, warp or splinter. The cut to size timbers connect to brackets with our patented Stacking Joints stakes.

Dimensions: 4' x 12' X 12"

Installation Notes:

Before starting to assemble the Tri-Section Raised Garden, refer to the parts diagram to understand how to screw the brackets onto the timbers. Remove the Stacking joints from the plastic bags and lay out the parts. Each of the joints comprises a stake and two brackets plus screws needed.

Tools Needed:

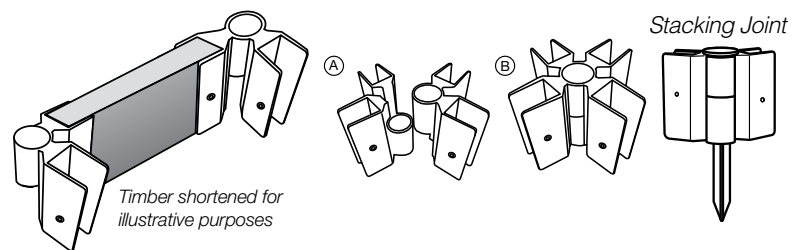
- Phillips head screwdriver
(electrical or battery operated preferred)
- Hammer

With a screwdriver, (a power driver would be helpful) attach one bracket to each end of each of the Composite Timbers as shown below.

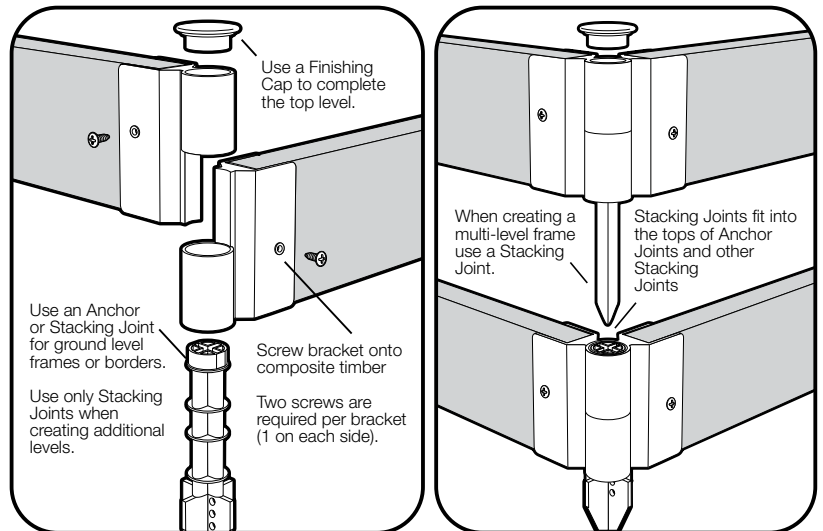


Parts identification & Four-Way Joint:

The Four-Way Joint is comprised of two pieces (A), which when stacked, form the complete bracket (B).



How the Joints Work



Special Instruction for bracketing timbers:

Connect brackets on the following quantity of timbers like the diagram above.

- 12 PB bracketed timbers
- 4 SB bracketed timbers
- 2 FW bracketed timbers

Kind and amount of bracketed timbers for each level:

1st level

- 8 PB bracketed timbers

2nd level

- 4 PB bracketed timbers
- 2 FW bracketed timbers
- 4 SB bracketed timbers

Additional Kits available

Bi section raised garden (4'x8'x12")

Kit contains:
13 timbers
6 2 packs of stacking joints
1 - 4 way joints

Kind and quantity of bracketed timbers:

10 PB bracketed timbers, 1 FW bracketed timbers, 2 SB Bracketed timbers

1st level: 6 PB bracketed timbers

2nd level: 4 PB bracketed timbers, 1 FW bracketed timbers, 2 SB bracketed timbers

Quad section raised garden (4'x16'x12")

Kit contains
23 timbers
9 - 2 packs stacking joints
3 - 4-way joints

Kind and quantity of bracketed timbers:

14 PB bracketed timbers, 3 FW bracketed timbers, 8 SB bracketed timbers

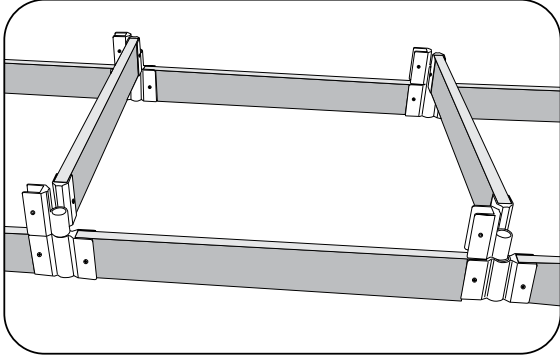
1st level: 10 PB bracketed timbers

2nd level: 4 PB bracketed timbers, 3 FW bracketed timbers, 6 SB bracketed timbers

Assembly Instructions

1) Layout the base level of your raised garden in a straight rectangular shape, using 8 (PB) bracketed timbers, insert one Stake through the brackets and into each of the corners to lock all sides in place (Diagram 1, at right).

Diagram 2



2) For the second level, place two 4-way bracketed timbers (FW) on top of the 1st level (see diagram 2), then add a parallel-bracketed (PB) timber on each end (diagram 3, below).

3) To complete the second level, place the (SB) bracketed timbers with one bracket to complete the sides and screw the unbracketed timber sides into the channel of the 4-way bracket (see diagram 4).

Diagram 3

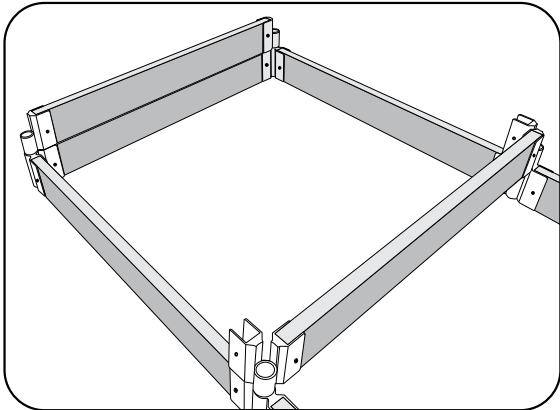


Diagram 1

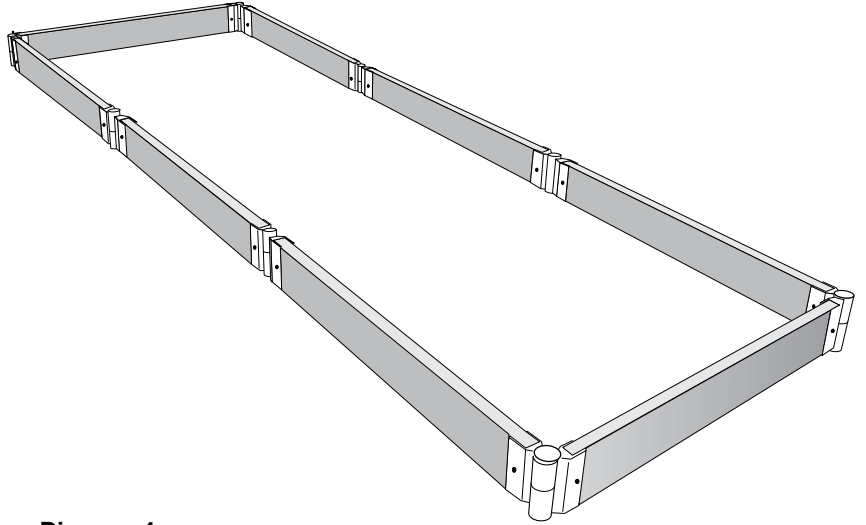
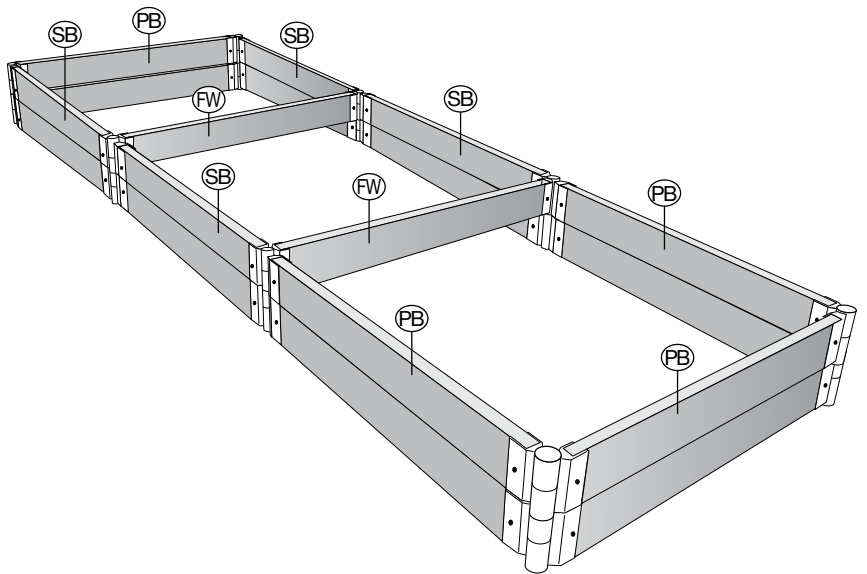


Diagram 4



4) Insert one Stake through the brackets into the aperture on the top of the stake beneath it to lock the second level in place.

5) Add the Caps to each of the top corner joints to finish off the raised garden. You can also locate Solar Lights (#SL-1025, sold separately) as an added beauty feature, or **frame-it-all's** cold greenhouses, veggie wall or animal barriers.

Note:

If you plan to assemble the Kit for use indoors or on a hard surface, remove (with a hacksaw) the spike of each stake where indicated on the diagram to the left. Use these cut down stakes for the base level of your raised garden.

Do not do this if you are locating the Planter outdoors on soil.

