

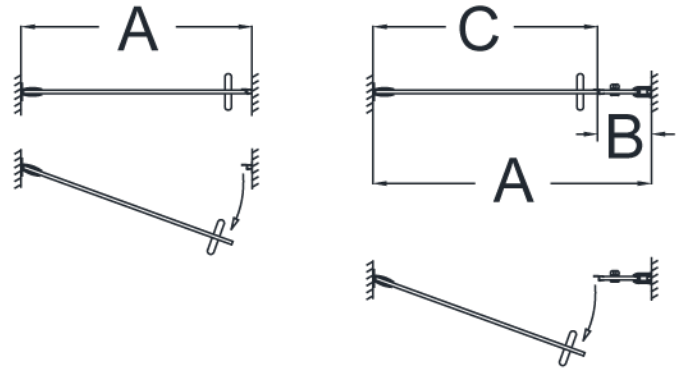
FEATURES

- 3/8" thick tempered clear glass
- Self-closing solid brass wall mounted hinges
- Stationary side glass panel wall profile allows door to be adjusted by up to 1"
- Reversible for right or left door opening

Codes & Standards:

Specified model meets or exceeds the following:

- ANSI Z97.1 (tempered glass)
- CPSC 16CFR 1201 CAT II



Model Number	A	B	C	D
SHDR-20237210F	23"	-	23"	72"
SHDR-20247210F	24"	-	24"	72"
SHDR-20257210F	25"	-	25"	72"
SHDR-20267210F	26"	-	26"	72"
SHDR-20277210F	27"	-	27"	72"
SHDR-20287210F	28"	-	28"	72"
SHDR-20297210F	29"	-	29"	72"
SHDR-20307210F	30"	-	30"	72"

Model Number	A	B	C	D
SHDR-20297210	29-30"	6	23"	72"
SHDR-20307210	30-31"	6	24"	72"
SHDR-20317210	31-32"	6	25"	72"
SHDR-20327210	32-33"	6	26"	72"
SHDR-20337210	33-34"	6	27"	72"
SHDR-20347210	34-35"	6	28"	72"
SHDR-20357210	35-36"	6	29"	72"
SHDR-20367210	36-37"	6	30"	72"

FINISH OPTIONS

- Chrome (-01)C
- Brushed Nickel (-04)
- Oil rubbed bronze (-06)

GLASS OPTIONS

- Clear

Notes:

- Designed for installation against finished walls
- Doors without stationary panel do not have out-of-plumb adjustment
- Please see BathAuthority.com for complete size information
- Plumbing codes vary by state; DreamLine is not responsible for code compliance



IMPORTANT: DreamLine™ reserves the right to alter, modify or redesign products at any time without prior notice. For the latest up-to-date technical drawings, manuals or any other details please visit support.BathAuthority.com web page.