

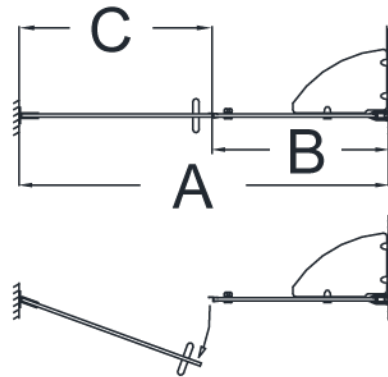
FEATURES

- 3/8" thick tempered clear glass
- Self-closing solid brass wall mounted hinges
- 2 integrated glass shelves
- Stationary side glass panel wall profile allows door to be adjusted by up to 1"
- Reversible for right or left door opening

Codes & Standards:

Specified model meets or exceeds the following:

- ANSI Z97.1 (tempered glass)
- CPSC 16CFR 1201 CAT II



Model Number	A	B	C	D
SHDR-20357210CS	35-36"	12	23"	72"
SHDR-20367210CS	36-37"	12	24"	72"
SHDR-20377210S	37-38"	12	25"	72"
SHDR-20387210S	38-39"	12	26"	72"
SHDR-20397210S	39-40"	12	27"	72"
SHDR-20407210S	40-41"	12	28"	72"
SHDR-20417210S	41-42"	12	29"	72"
SHDR-20427210S	42-43"	12	30"	72"
SHDR-20417210CS	41"-42"	18	23"	72"
SHDR-20427210CS	42"-43"	18	24"	72"
SHDR-20437210S	43"-44"	18	25"	72"
SHDR-20447210S	44"-45"	18	26"	72"
SHDR-20457210S	45"-46"	18	27"	72"
SHDR-20467210S	46"-47"	18	28"	72"
SHDR-20477210S	47"-48"	18	29"	72"
SHDR-20487210S	48"-49"	18	30"	72"

Model Number	A	B	C	D
SHDR-20477210CS	47"-48"	24	23"	72"
SHDR-20487210CS	48"-49"	24	24"	72"
SHDR-20497210S	49"-50"	24	25"	72"
SHDR-20507210S	50"-51"	24	26"	72"
SHDR-20517210S	51"-52"	24	27"	72"
SHDR-20527210S	52"-53"	24	28"	72"
SHDR-20537210S	53"-54"	24	29"	72"
SHDR-20547210S	54"-55"	24	30"	72"
SHDR-20537210CS	53"-54"	30	23"	72"
SHDR-20547210CS	54"-55"	30	24"	72"
SHDR-20557210S	55"-56"	30	25"	72"
SHDR-20567210S	56"-57"	30	26"	72"
SHDR-20577210S	57"-58"	30	27"	72"
SHDR-20587210S	58"-59"	30	28"	72"
SHDR-20597210S	59"-60"	30	29"	72"
SHDR-20607210S	60"-61"	30	30"	72"

FINISH OPTIONS

- Chrome (-01)C
- Brushed Nickel (-04)
- Oil rubbed bronze (-06)

GLASS OPTIONS

- Clear

SHELVES DIMENSIONS

Width: 11 7/8"
Depth: 7 7/8"

Notes:

- Designed for installation against finished walls
- Please see BathAuthority.com for complete size information
- Plumbing codes vary by state; DreamLine is not responsible for code compliance



IMPORTANT: DreamLine™ reserves the right to alter, modify or redesign products at any time without prior notice. For the latest up-to-date technical drawings, manuals or any other details please visit support.BathAuthority.com web page.